

EQUIPMENT SHEET

TERRAFERRE 501/502

HOPPER AND TRANSPORTATION BARGES


CONSTRUCTION / CLASSIFICATION

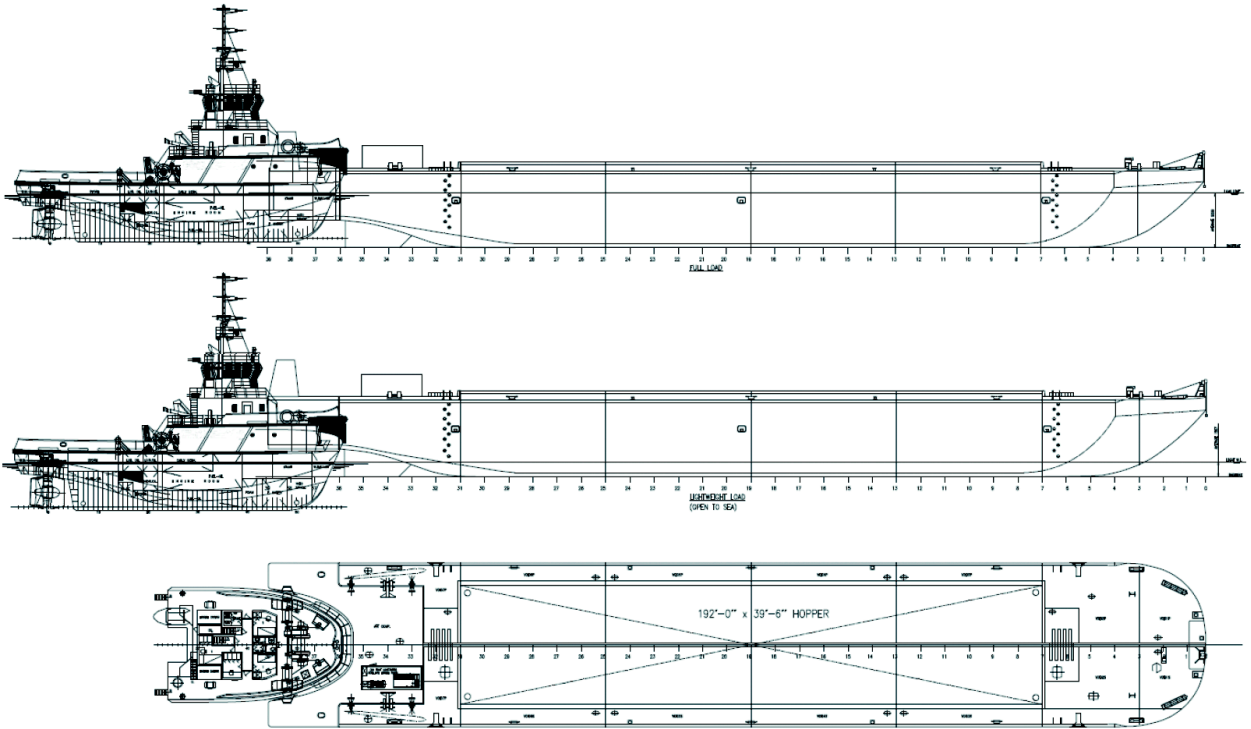
Built by	Gunderson Marine, Inc
Year of construction	1995 converted with ATB system in 2012
Classification	Bureau Veritas (BV) ⚙️ A1, Barge

MAIN DATA

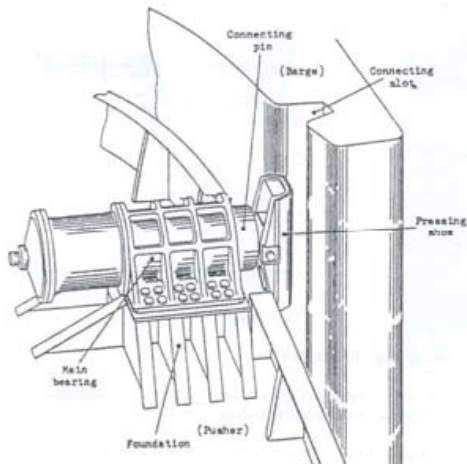
Type	Non-propelled split hopper barge
Length overall	94.3 m
Width	16.55 m
Depth	7.16 m
Max. draught	5.529 m
Hopper capacity	3,823 m ³
GRT/NRT	2,955/917
Accommodation	None
Power sets	Hydraulic set Cat 3208 186.4kW
Auxiliary set	Isuzu 8.2kW
Discharge system	Split hopper

ARTICOUPLING SYSTEM

For more details on the available pusher tugs, please refer to a separate equipment sheet for Union Topaz/Union Onyx.



PUSHER TUG WITH BARGE MOORING ARRANGEMENT



ARTICOUPLE FD-SERIES MOORING ARRANGEMENT